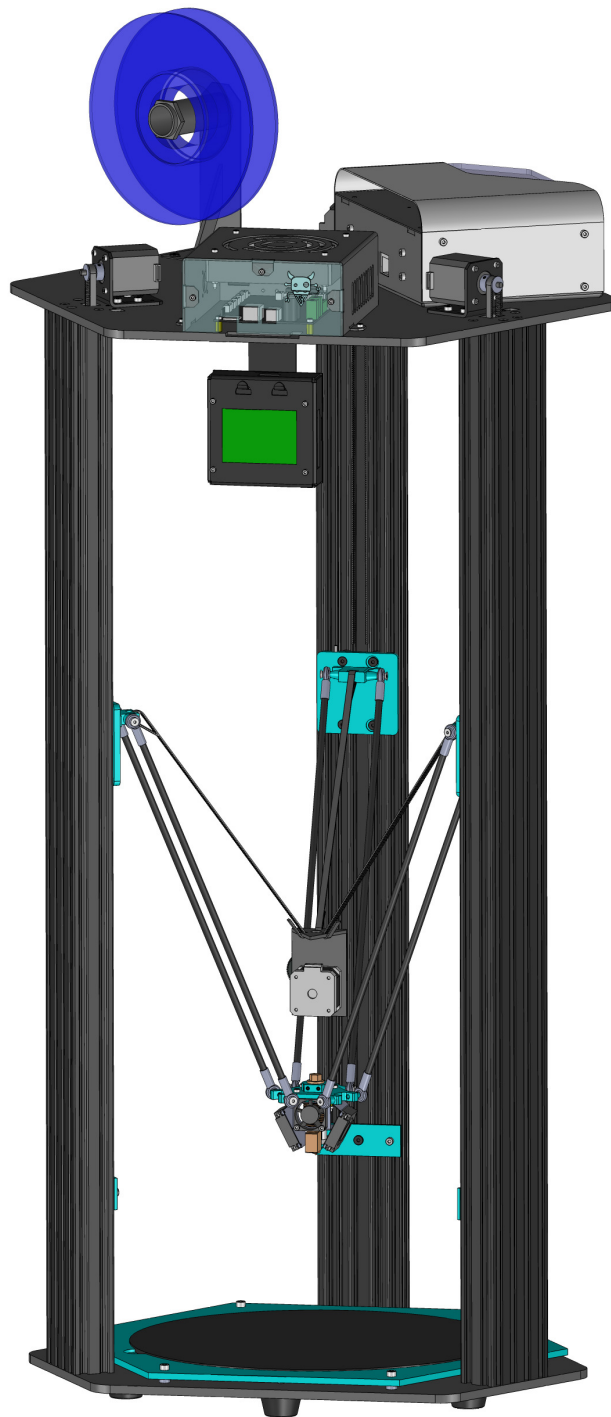
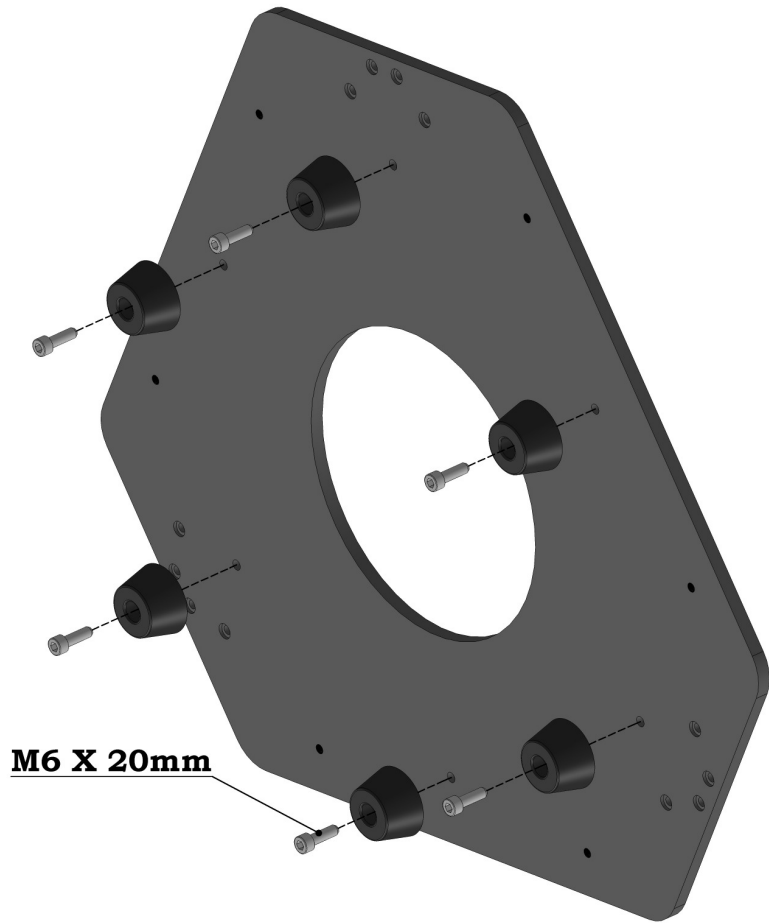


# **TEVO LITTLE MONSTER**



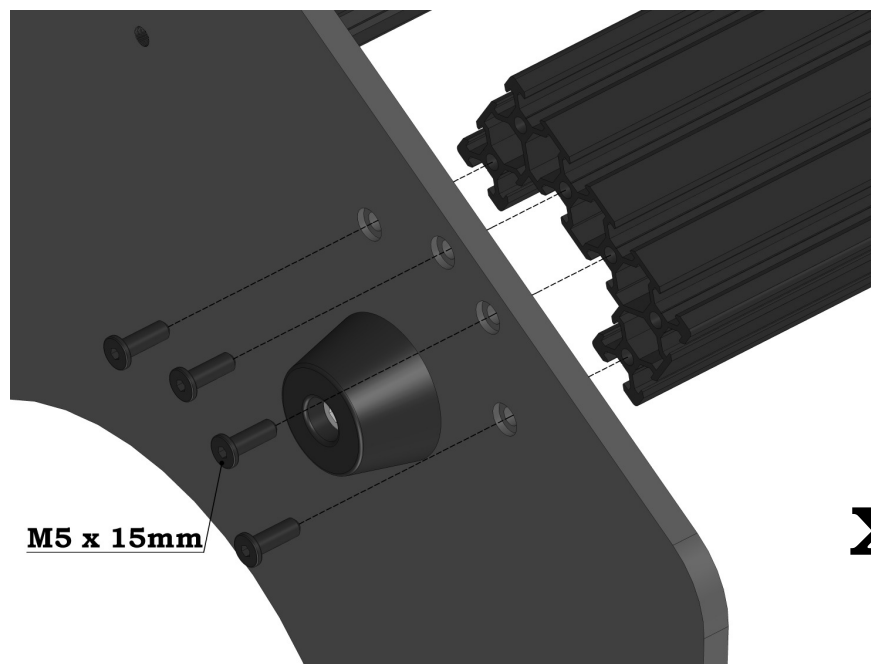
# **ASSEMBLY** **BAG B-3-1**

- M6 x 20mm - 6**
- Rubber Stand - 6**



# **BAG A-2-2**

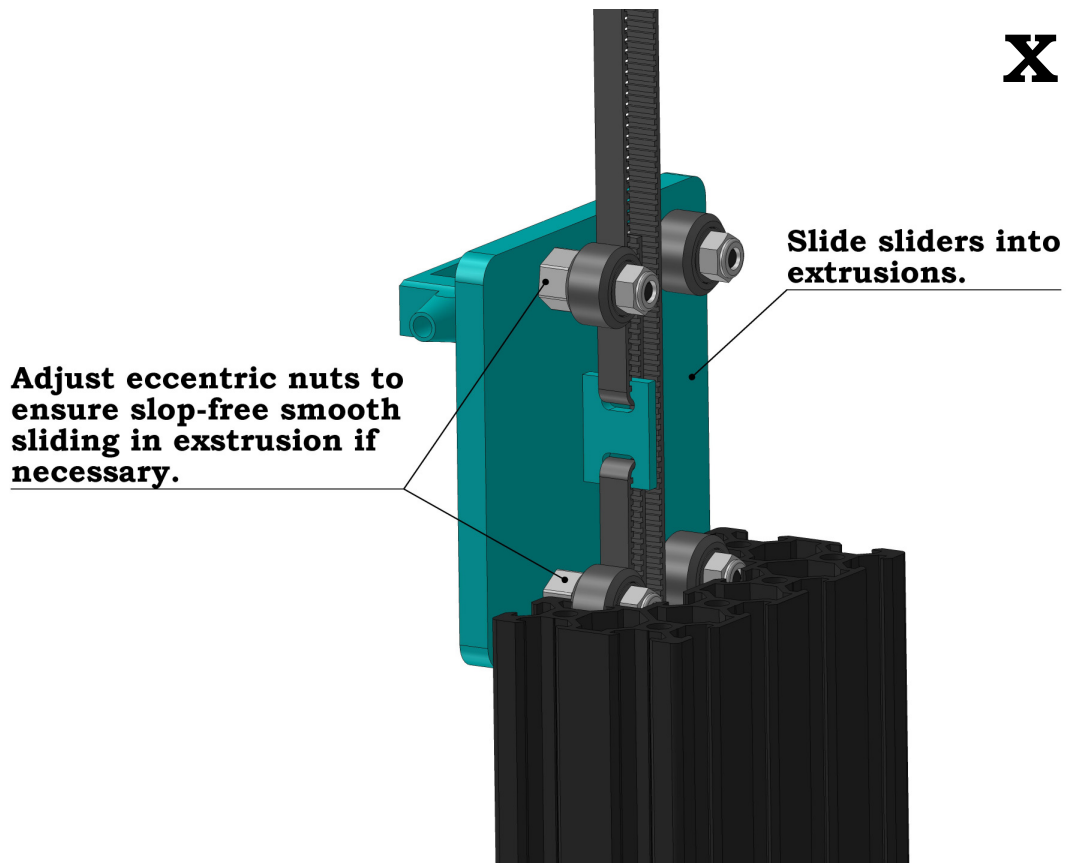
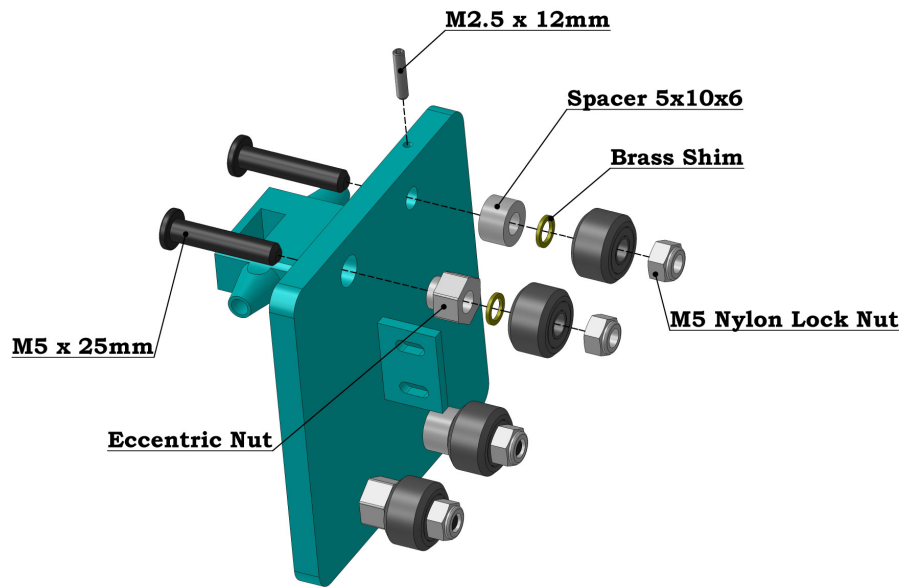
- M5 x 15mm - 12**
- Extrusion 4080 - 3**
- Base Plate - 1**



**X 3**

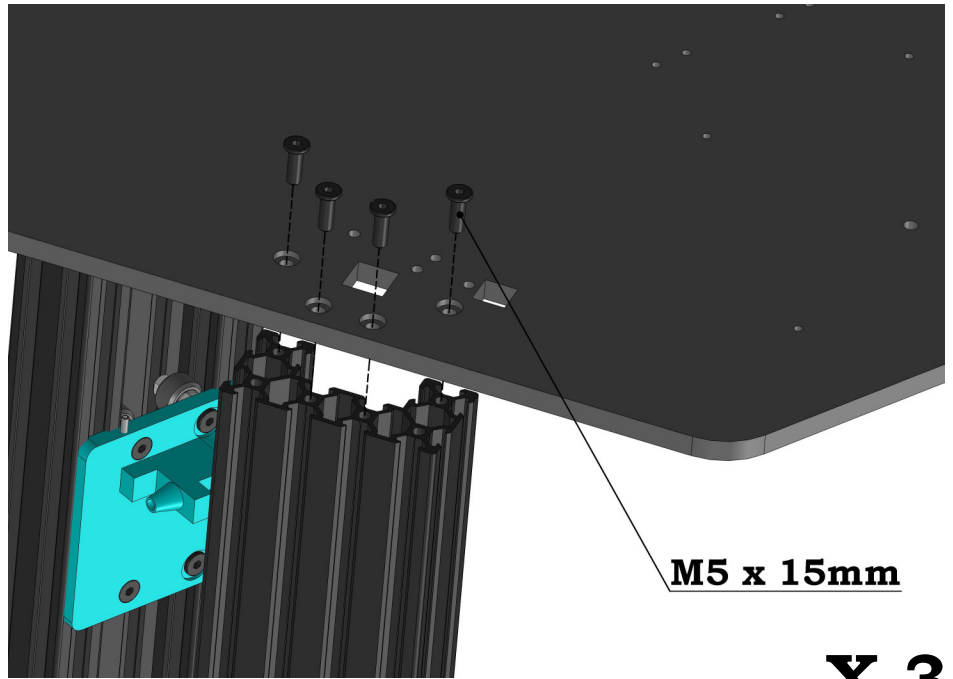
# BAG A-10

## Pre-Assembled



# BAG A-2-2

**M5 x 15mm** - 12  
**Top Plate** - 1



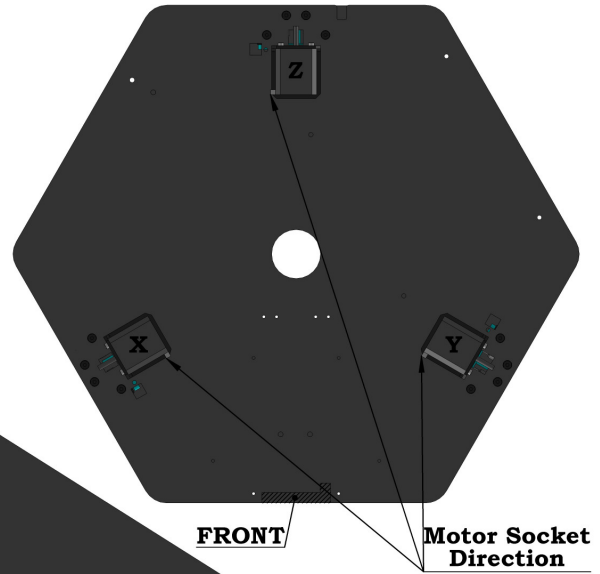
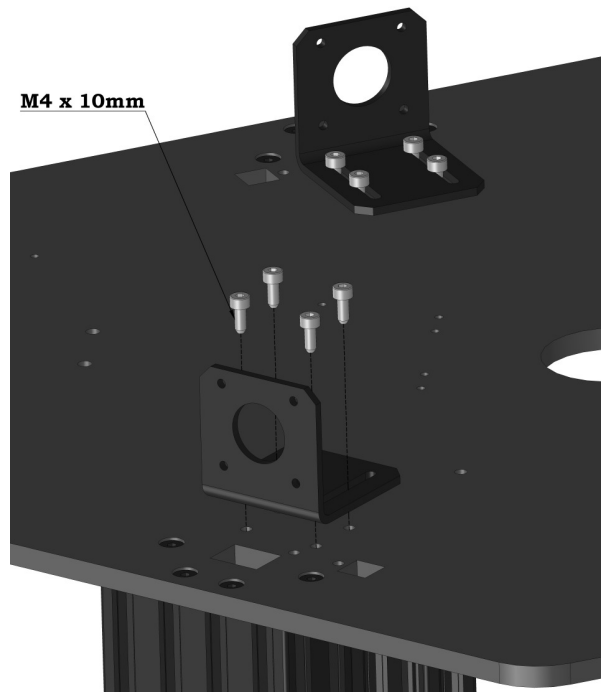
**M5 x 15mm**

**X 3**

# BAG A-8

M4 x 10mm - 12  
Motor bracket - 3

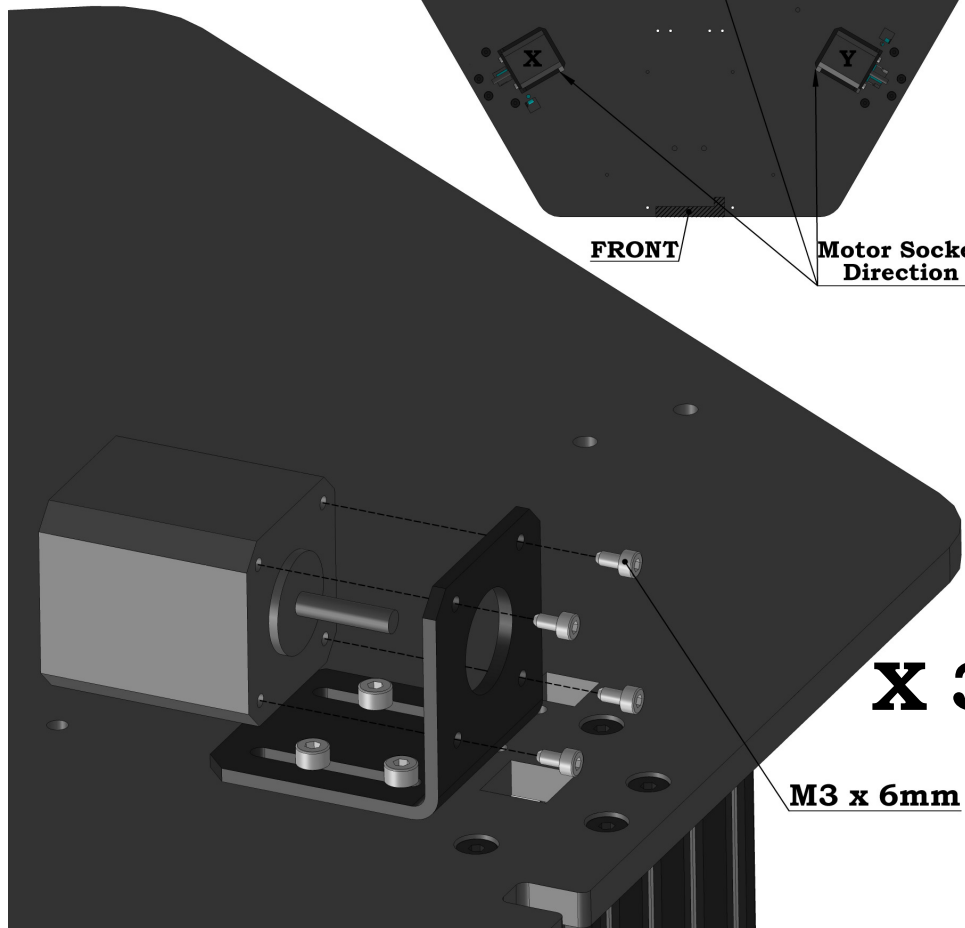
**X 3**

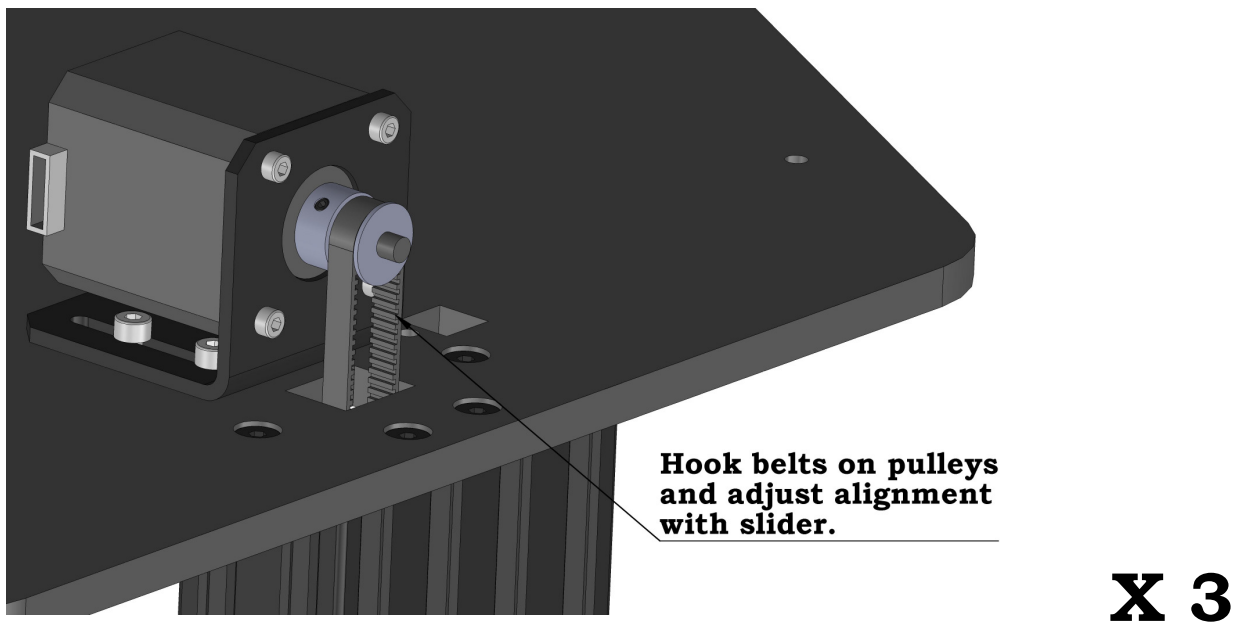
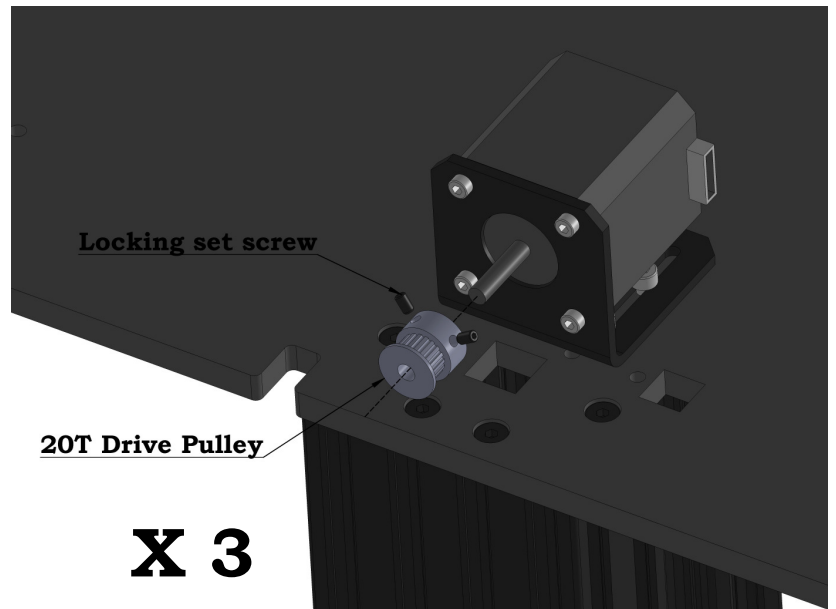


M3 x 6mm - 12  
20T Pulley - 3

**X 3**

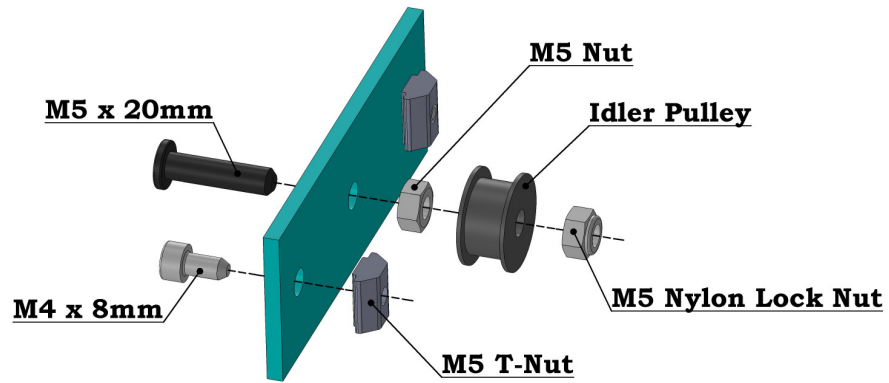
M3 x 6mm



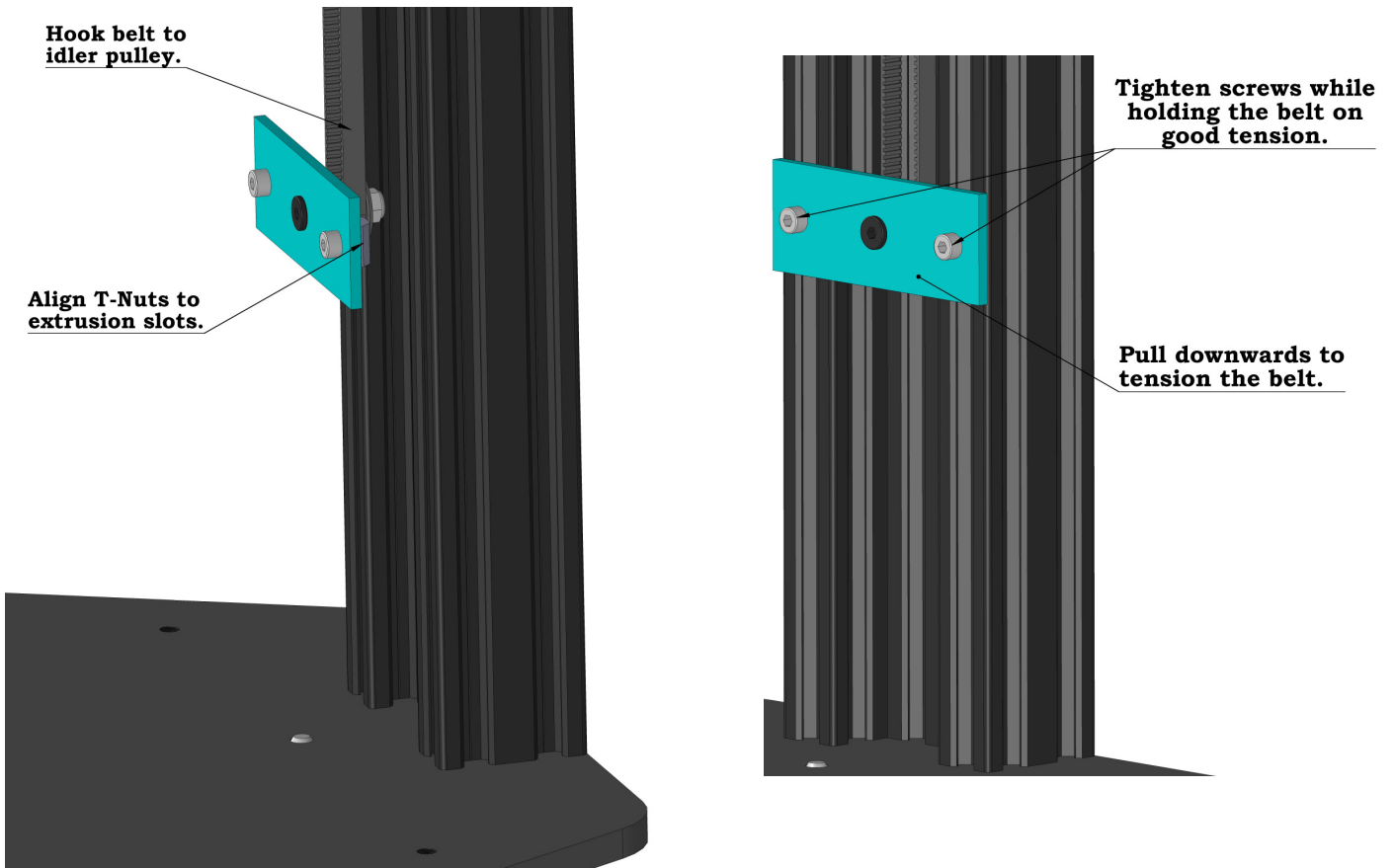


# BAG A-2-1

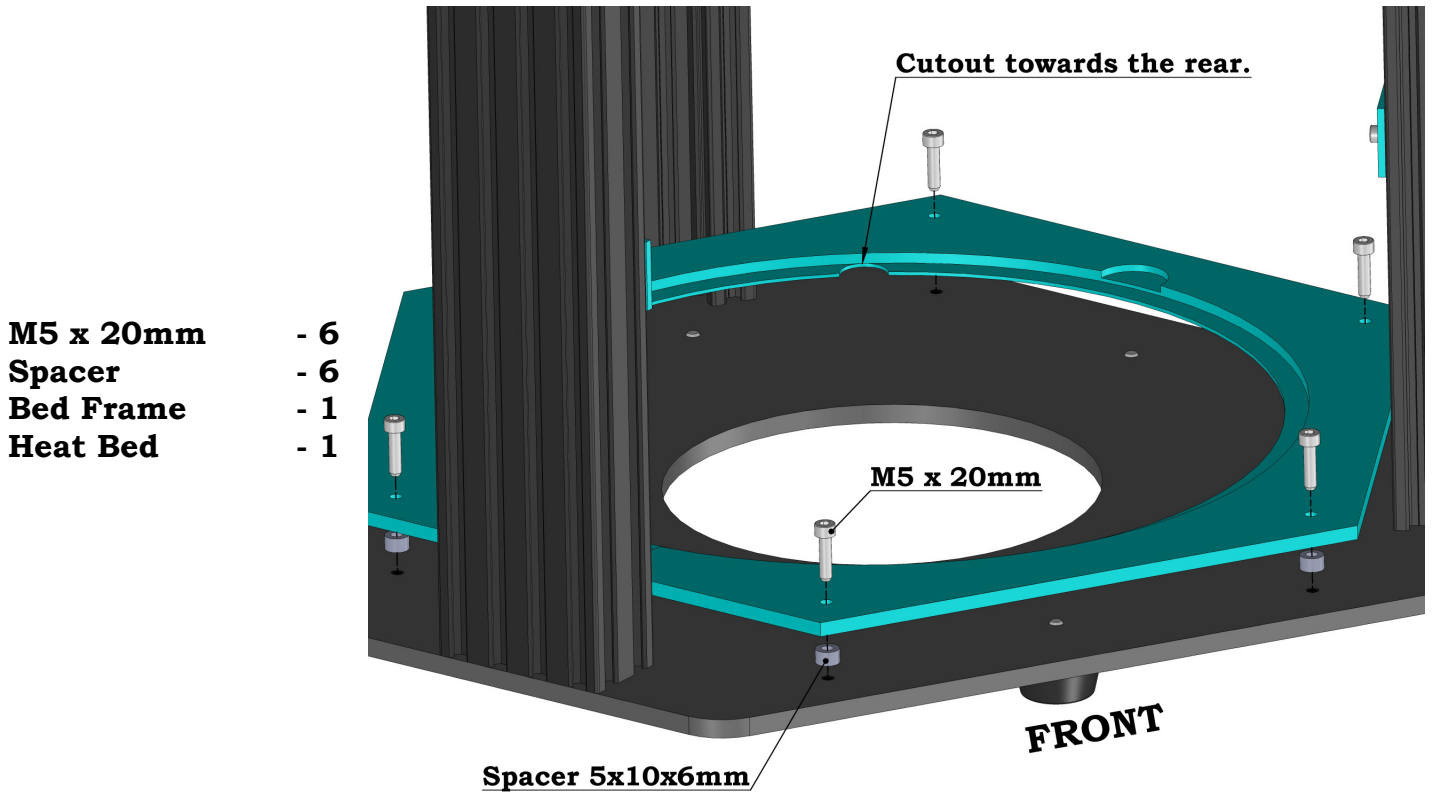
## Pre-Assembled



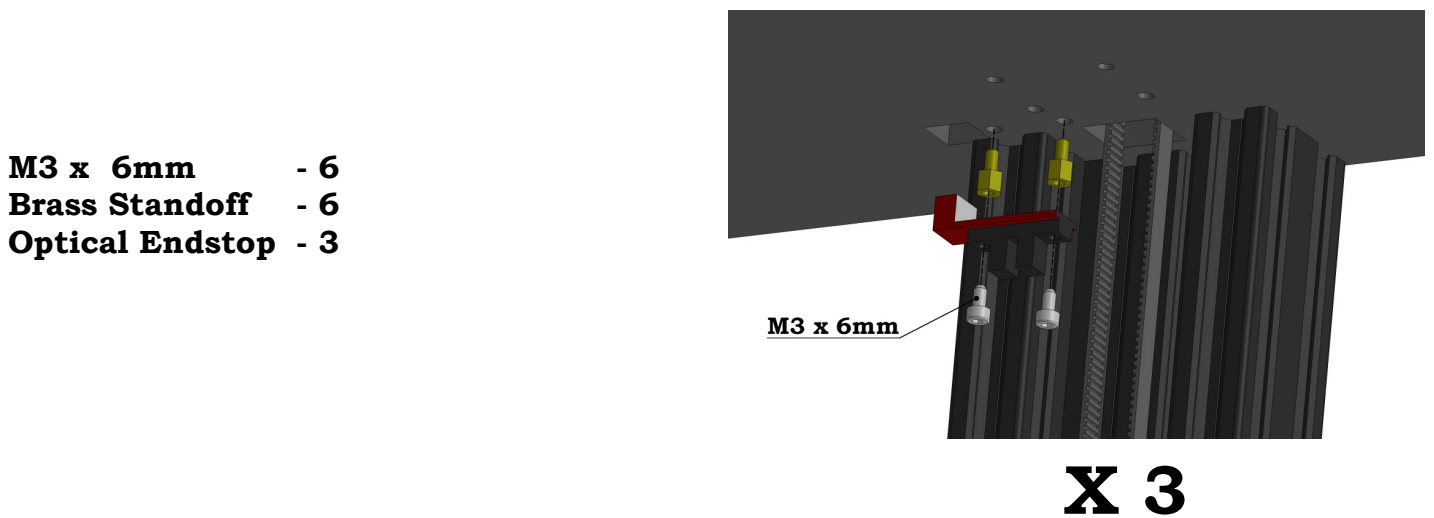
# X 3



## BAG B-3-2



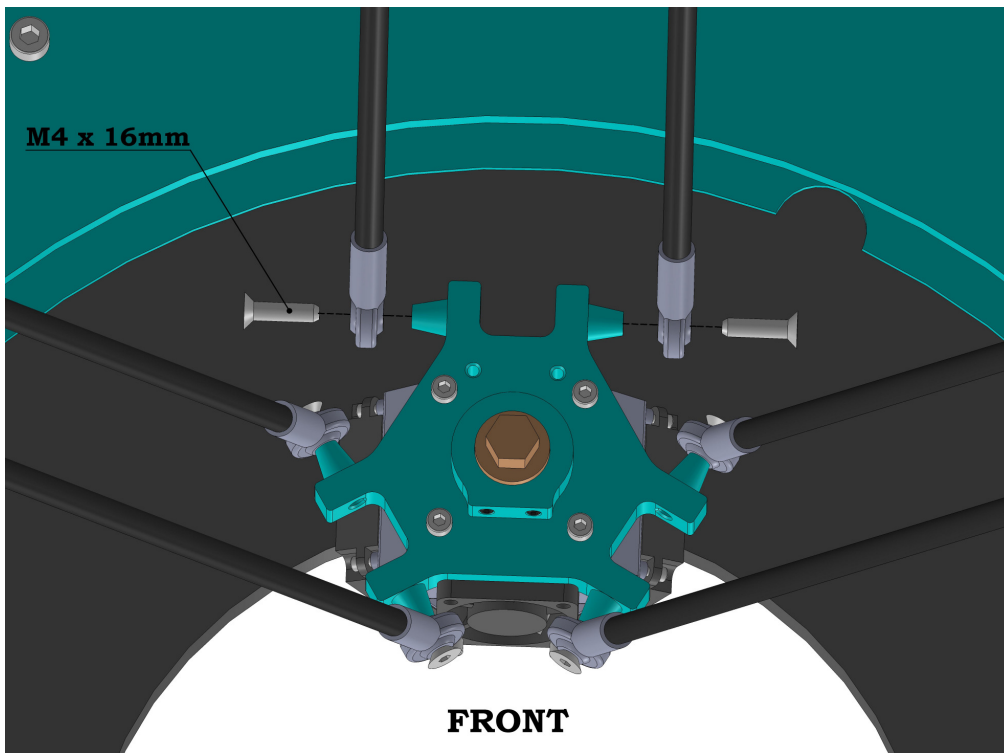
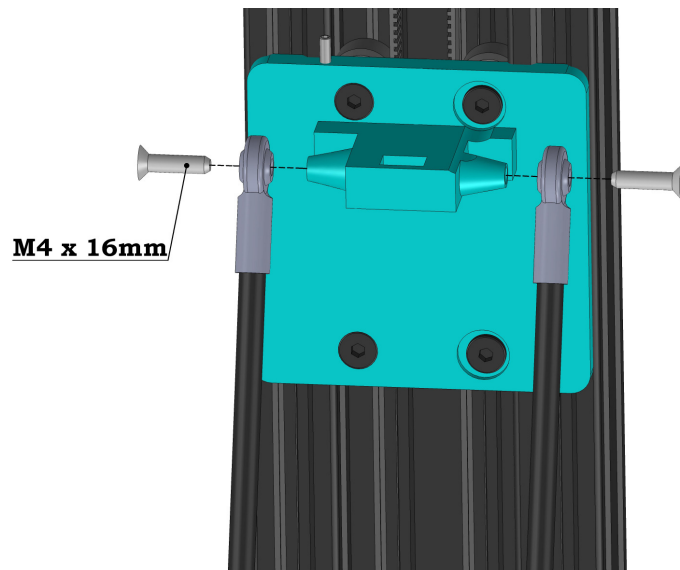
## BAG A-9-1





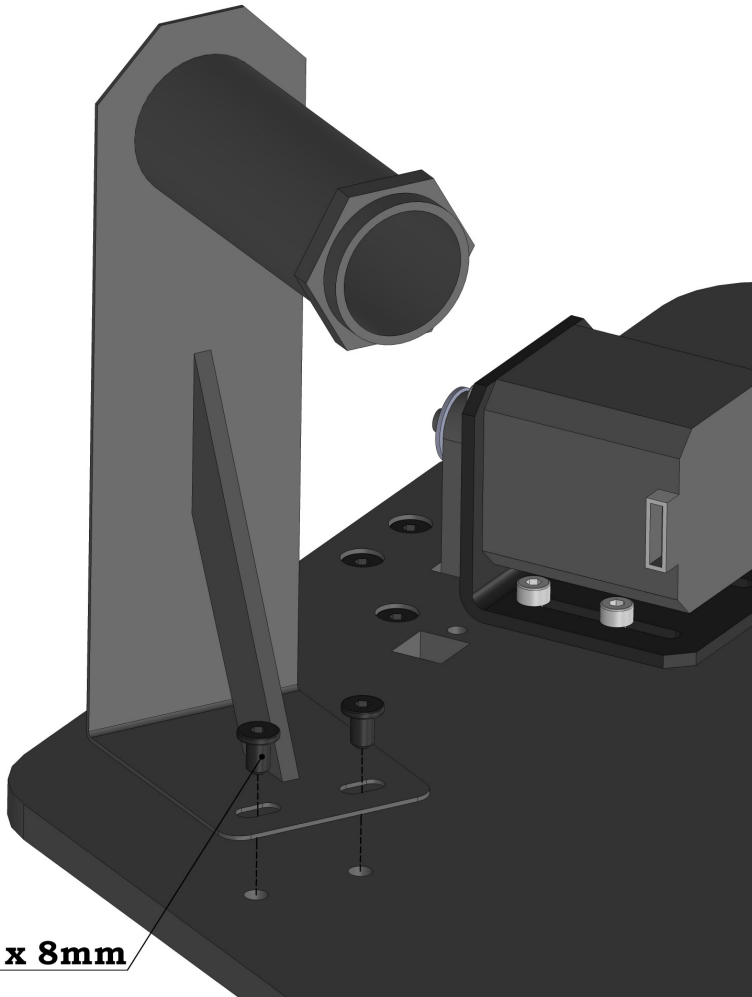
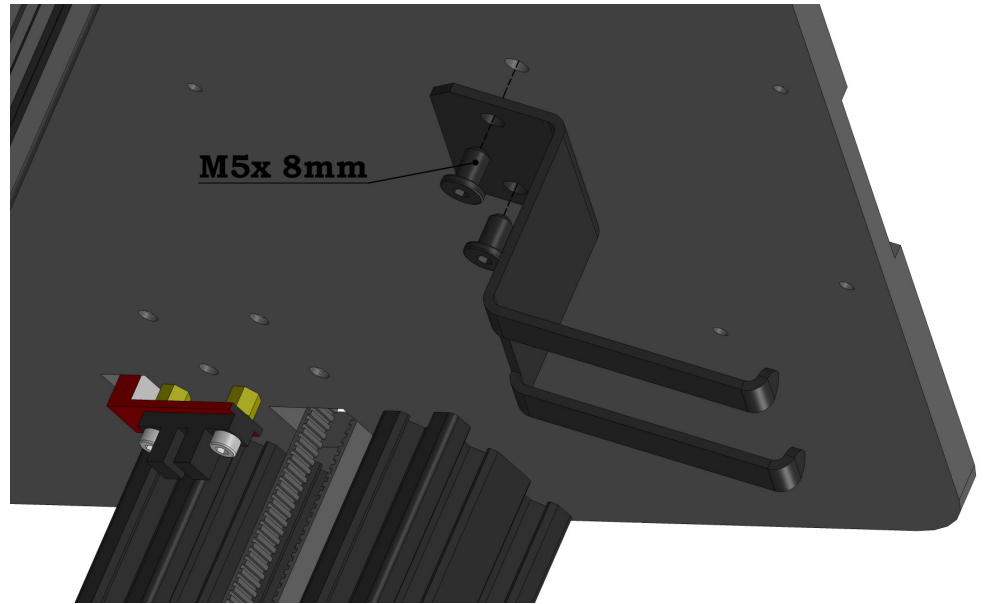
# BAG A-7

M4 x 16mm - 12  
Connecting Rod - 6



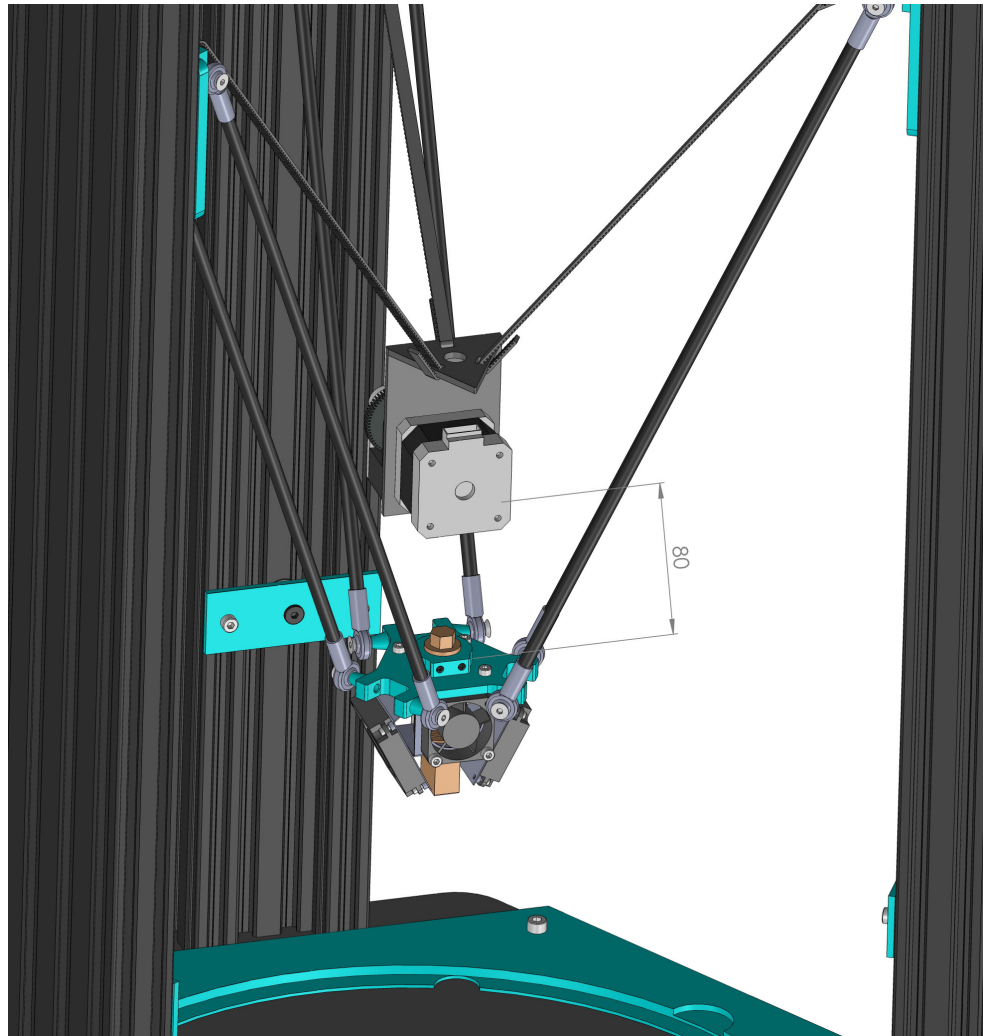
# BAG A-1

**M5 x 8mm - 4**

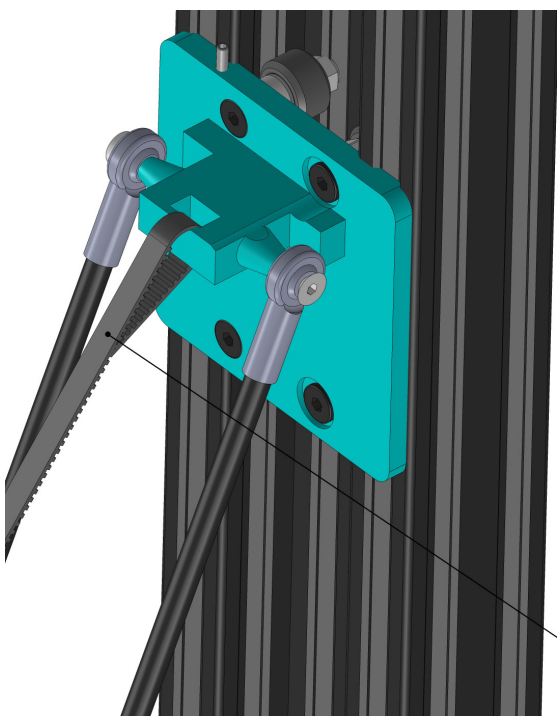


# BAG A-13

**Extruder - 1**  
**Belt - 3**



**Note: Pre-cut and insert PTFE tube into hotend making sure it is FULLY inserted.**

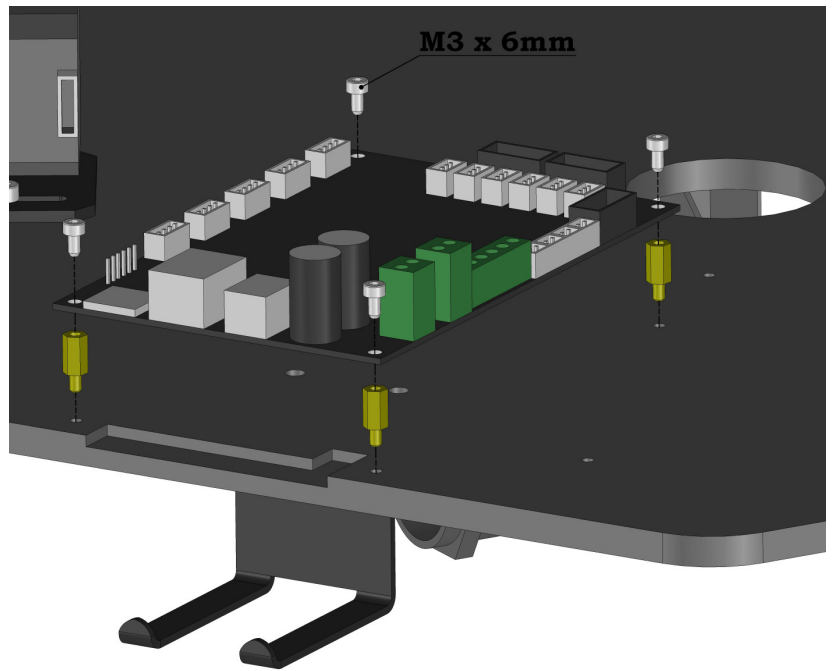


**X 3**

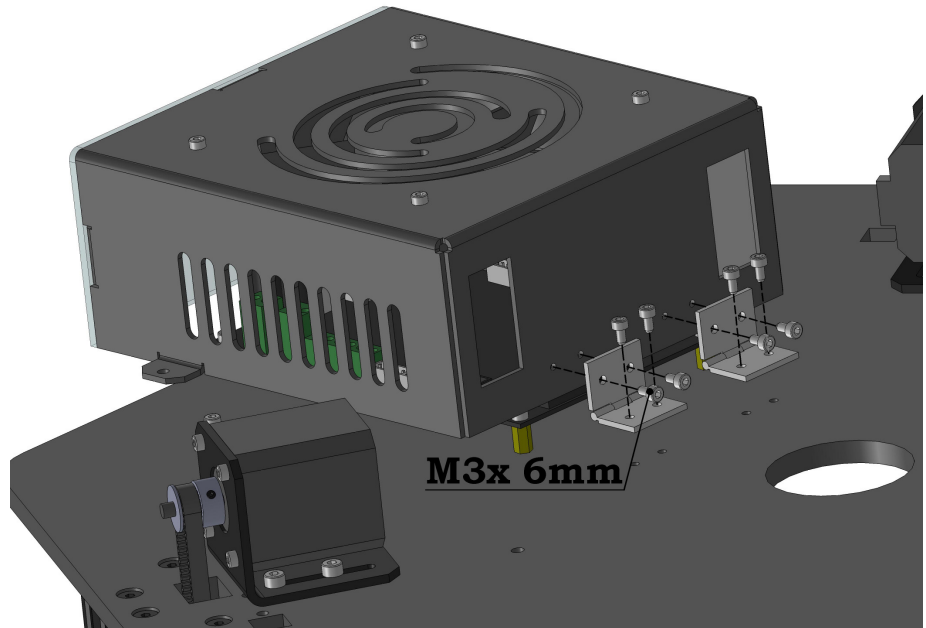
**Cable-Tie extruder  
belt end to slider.**

# BAG A-3

- M3 x 6mm** - 4
- Brass Standoff** - 4

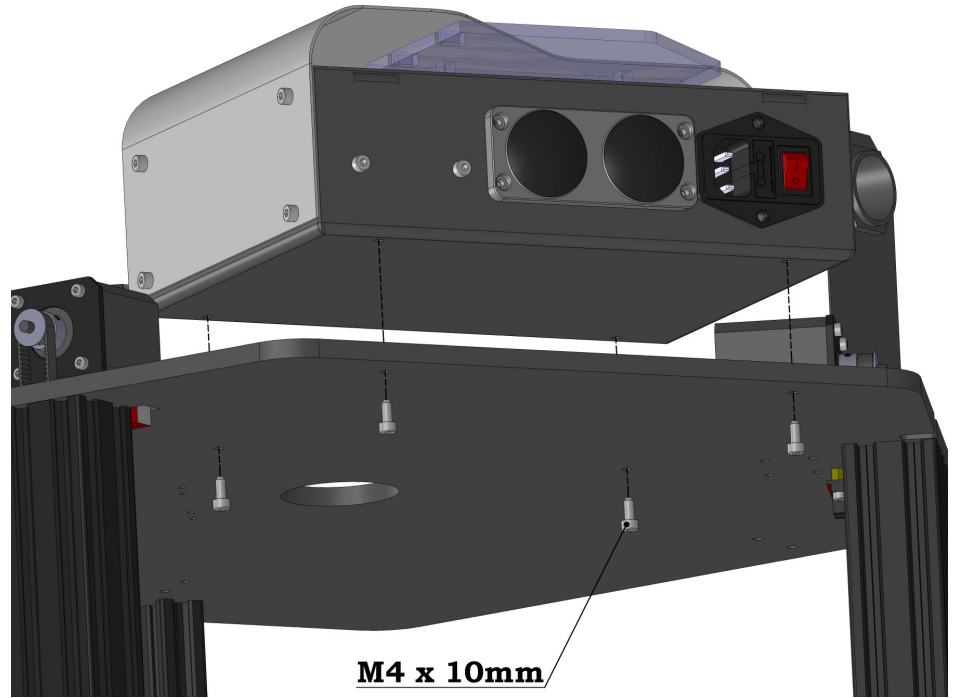


- M3 x 6mm** - 10

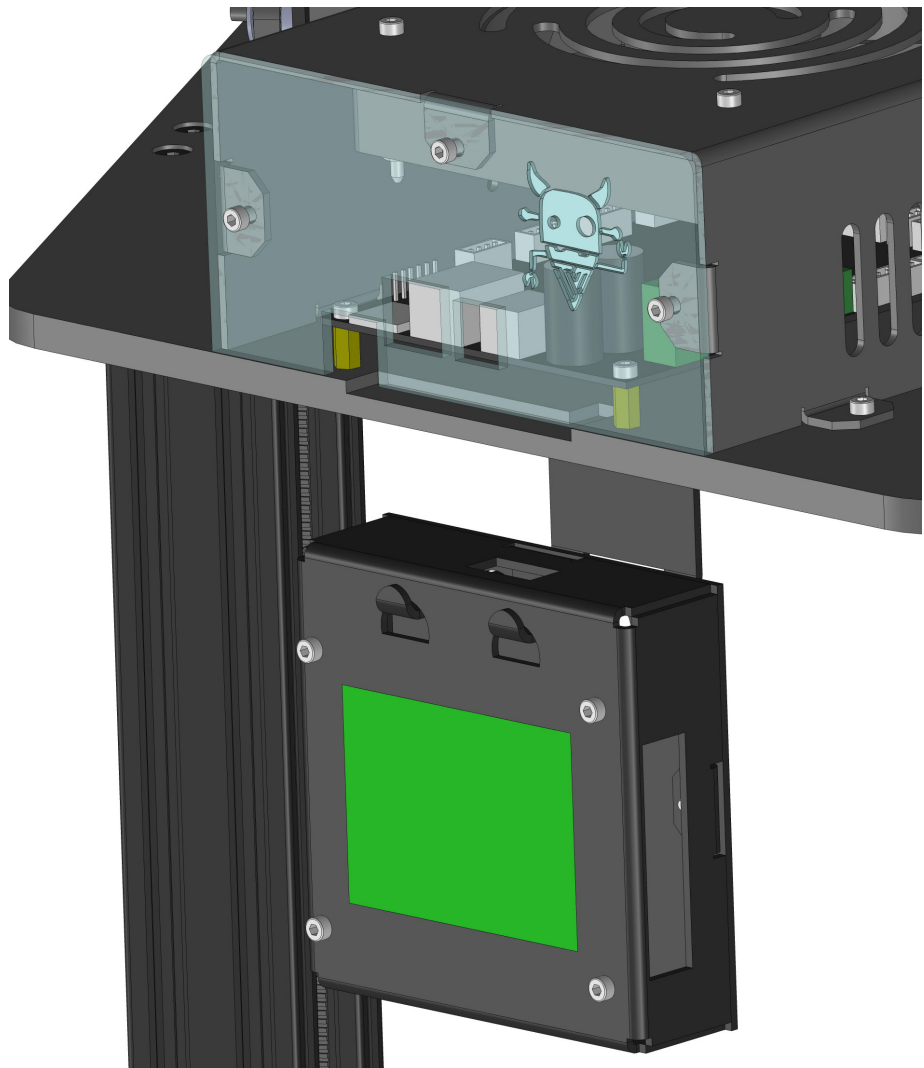


## BAG A-4

**M4 x 10mm** - 4  
**Power Supply Box** - 1

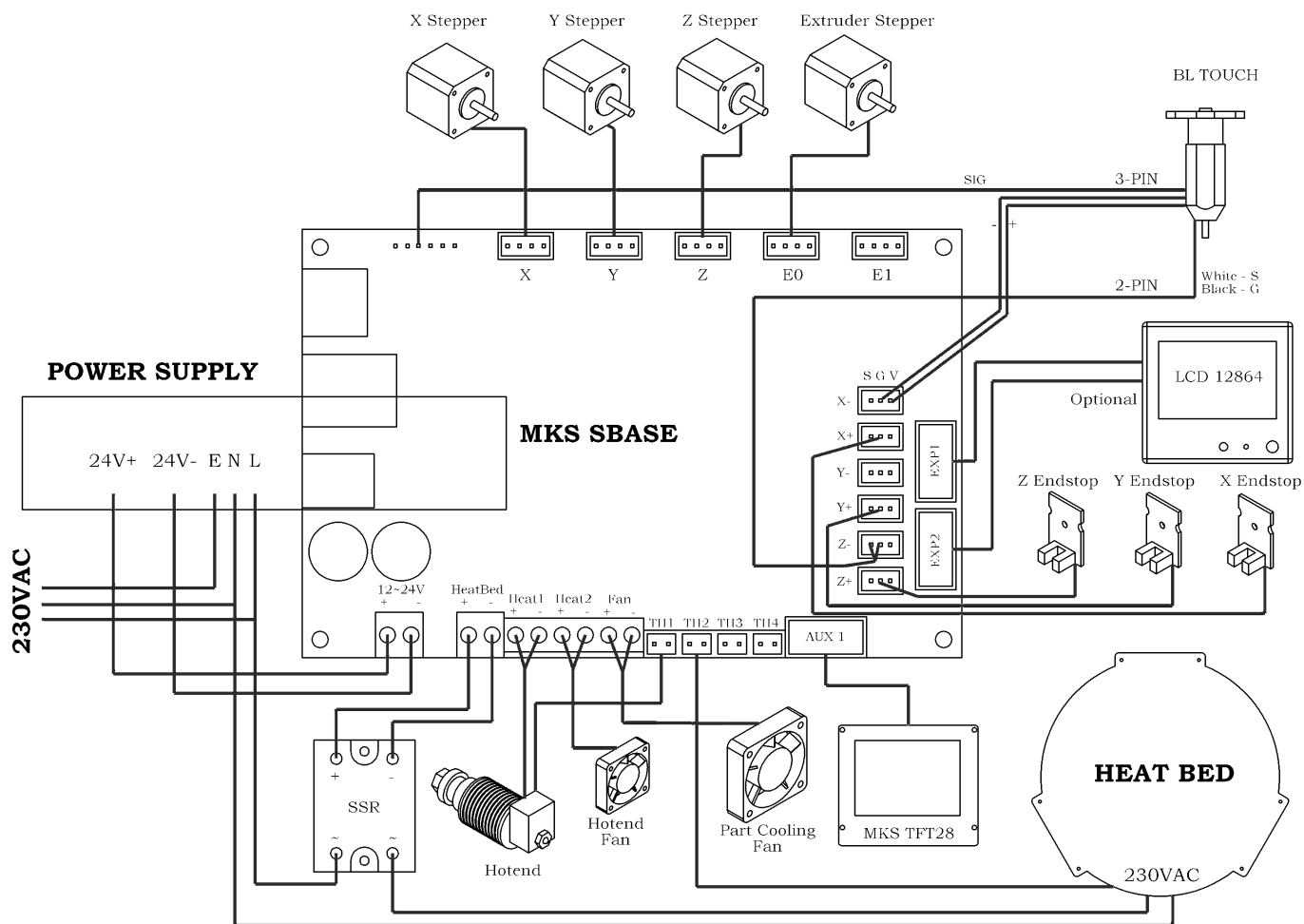


## BAG A-5



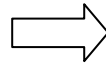
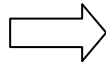
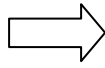
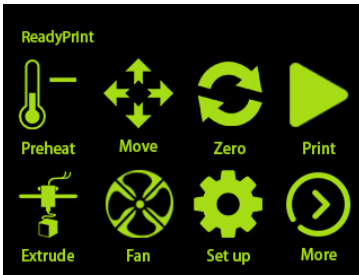
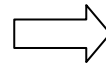
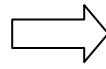
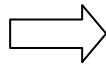
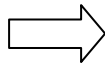
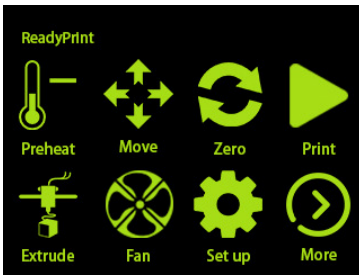
**Note: Connect touch-screen ribbon cable to Aux 1 of main control board.**

# ELECTRICAL WIRING



- 1) Connect the 4-pins cable sockets from Power Supply box to Main Control Board box.
- 2) Connect the 2-pins cable sockets from Power Supply box to Heat Bed connector.
- 3) Connect the 2-pins white thermistor cable from Sbase TH2 to Heat Bed.

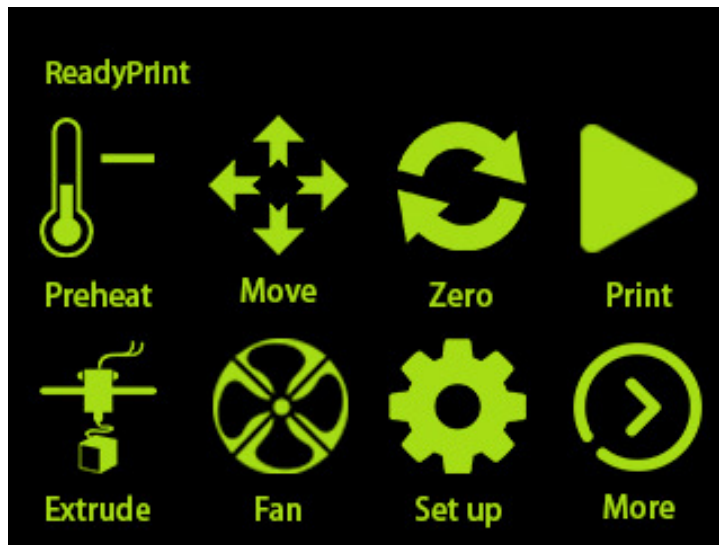
# FIRST POWER ON & AUTO-CALIBRATION



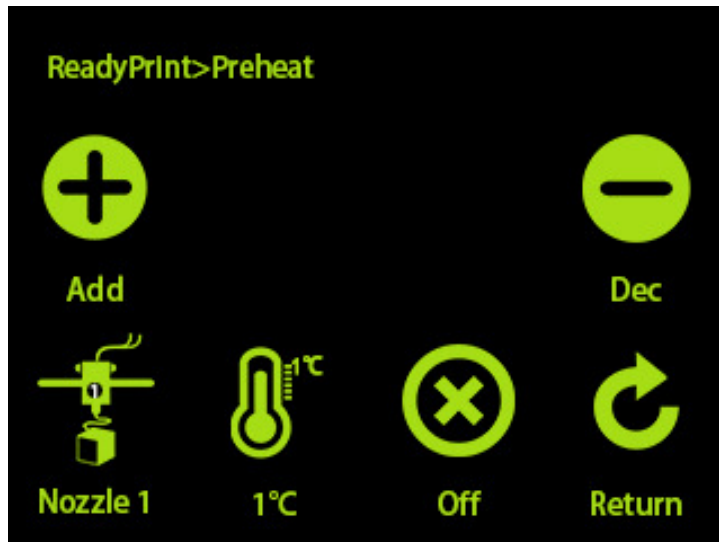
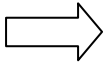
Bed will heat up to 80°C.  
Perform Auto-Axis Calibration.  
Perform Auto Bed Leveling.  
System Auto Reset.

# TOUCH SCREEN OPERATIONS

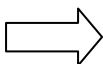
## MAIN MENU



## SUB-MENU

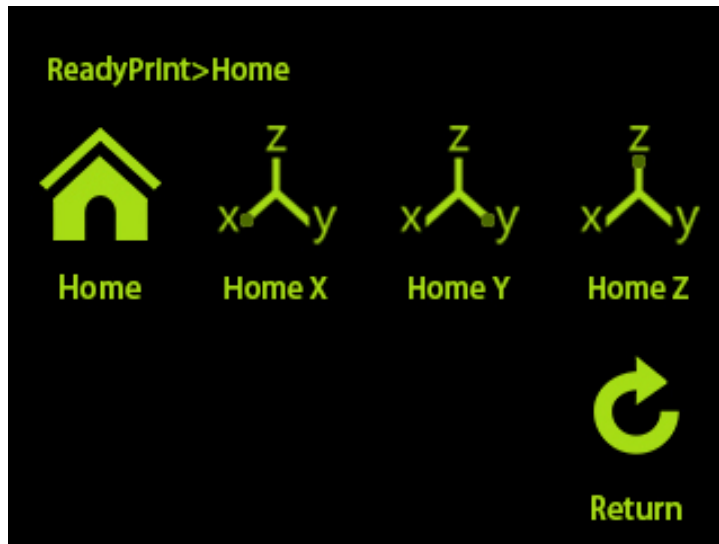
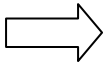


Manual heat control of hotend & heat bed temperatures.

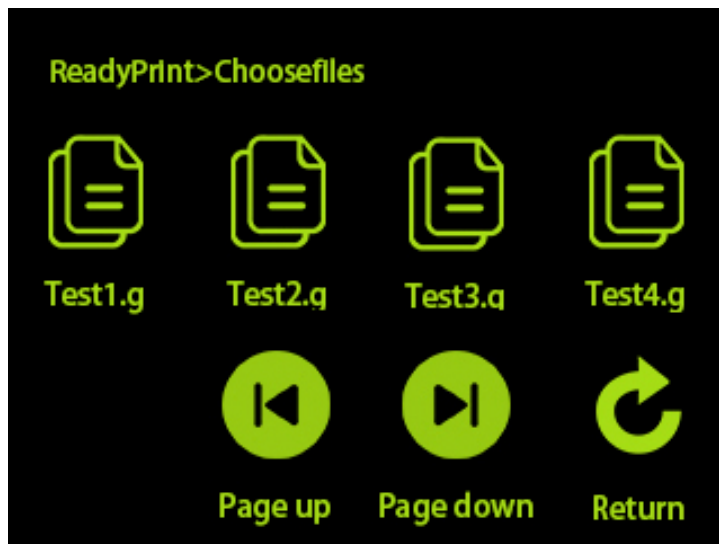
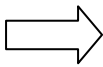


Manual movements of all X,Y,Z axis

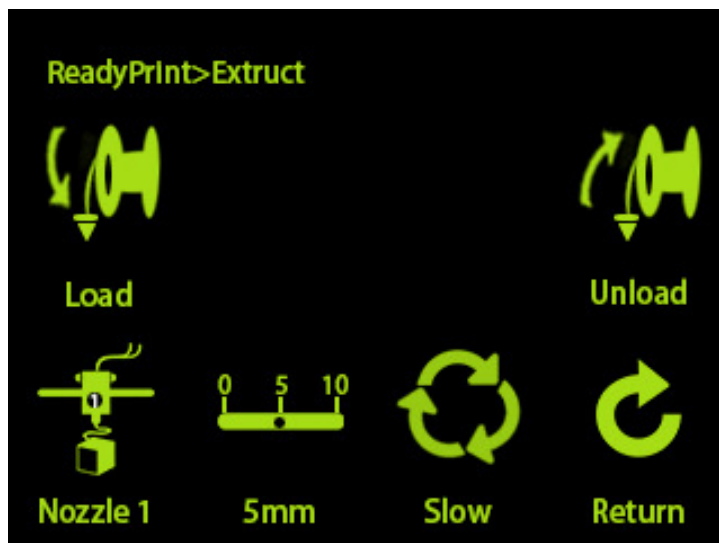
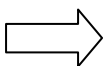




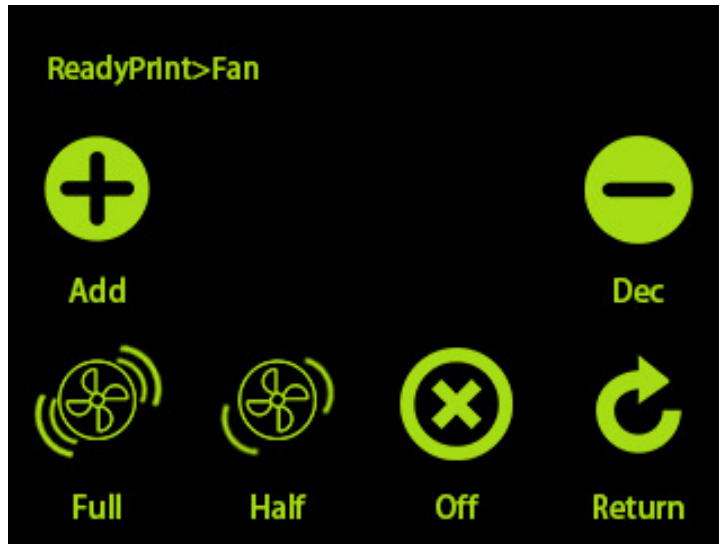
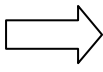
Manual homing of all axis



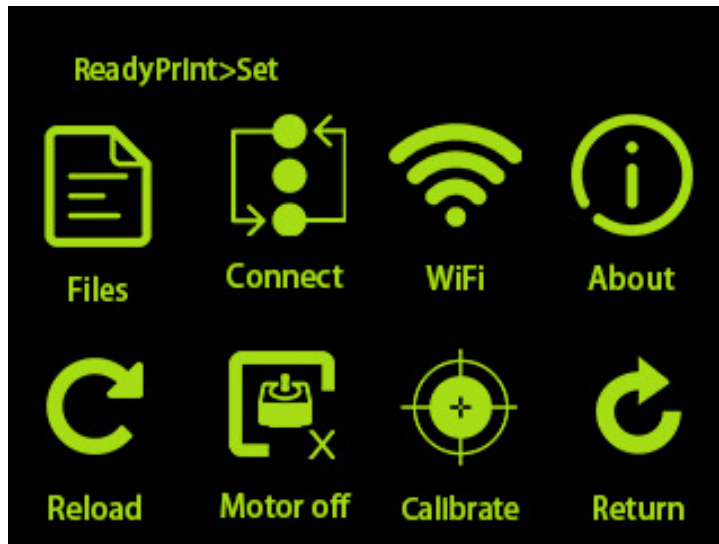
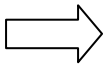
Printing file selections



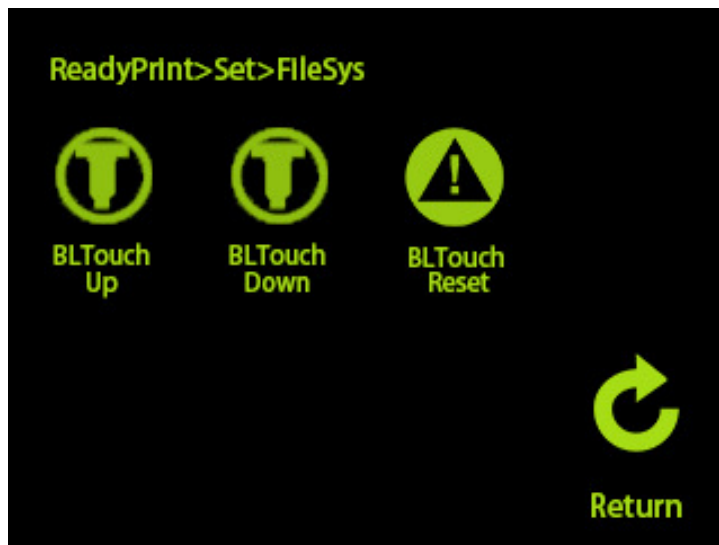
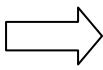
Manual filament extrusion & retract



Part cooling fan manual control

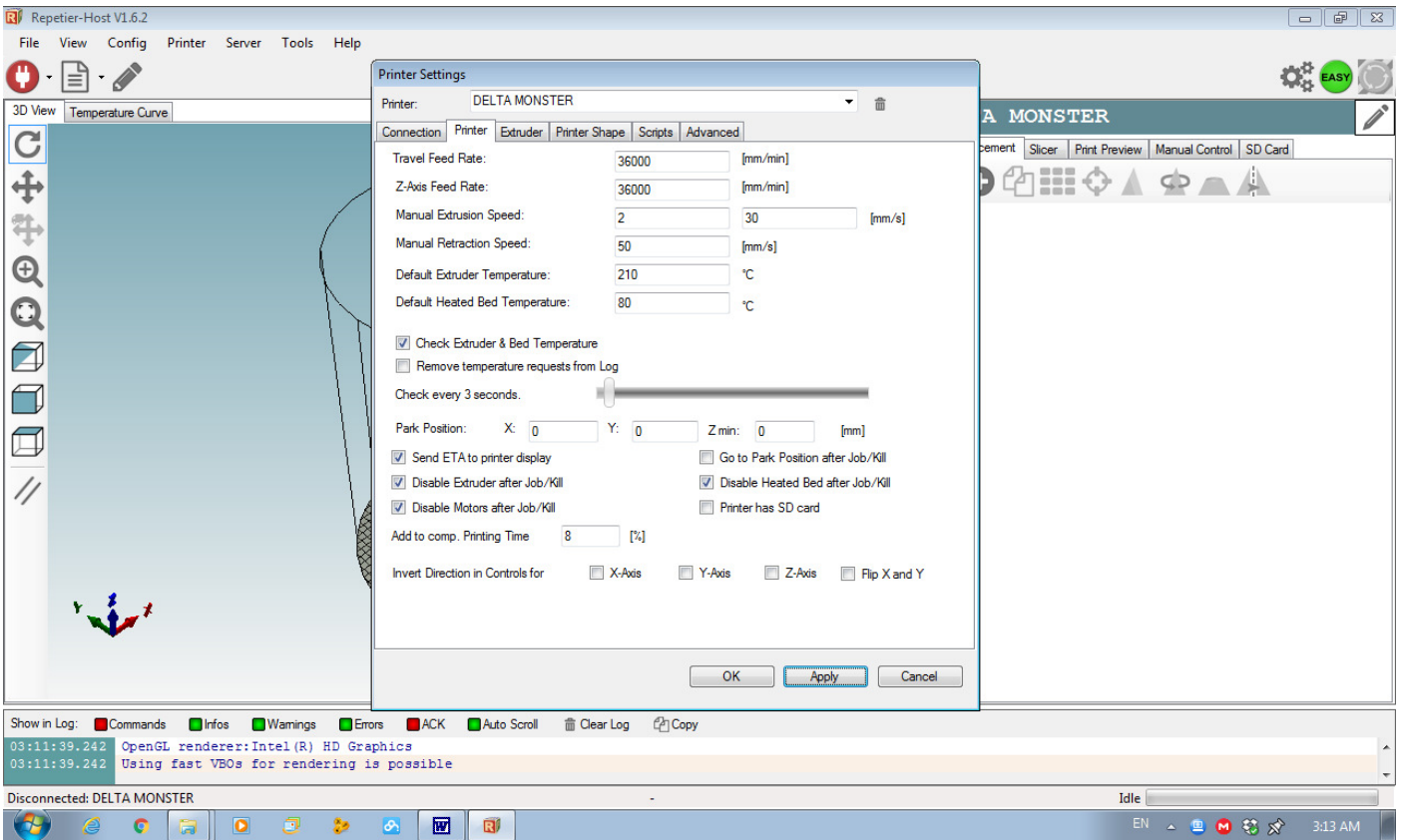
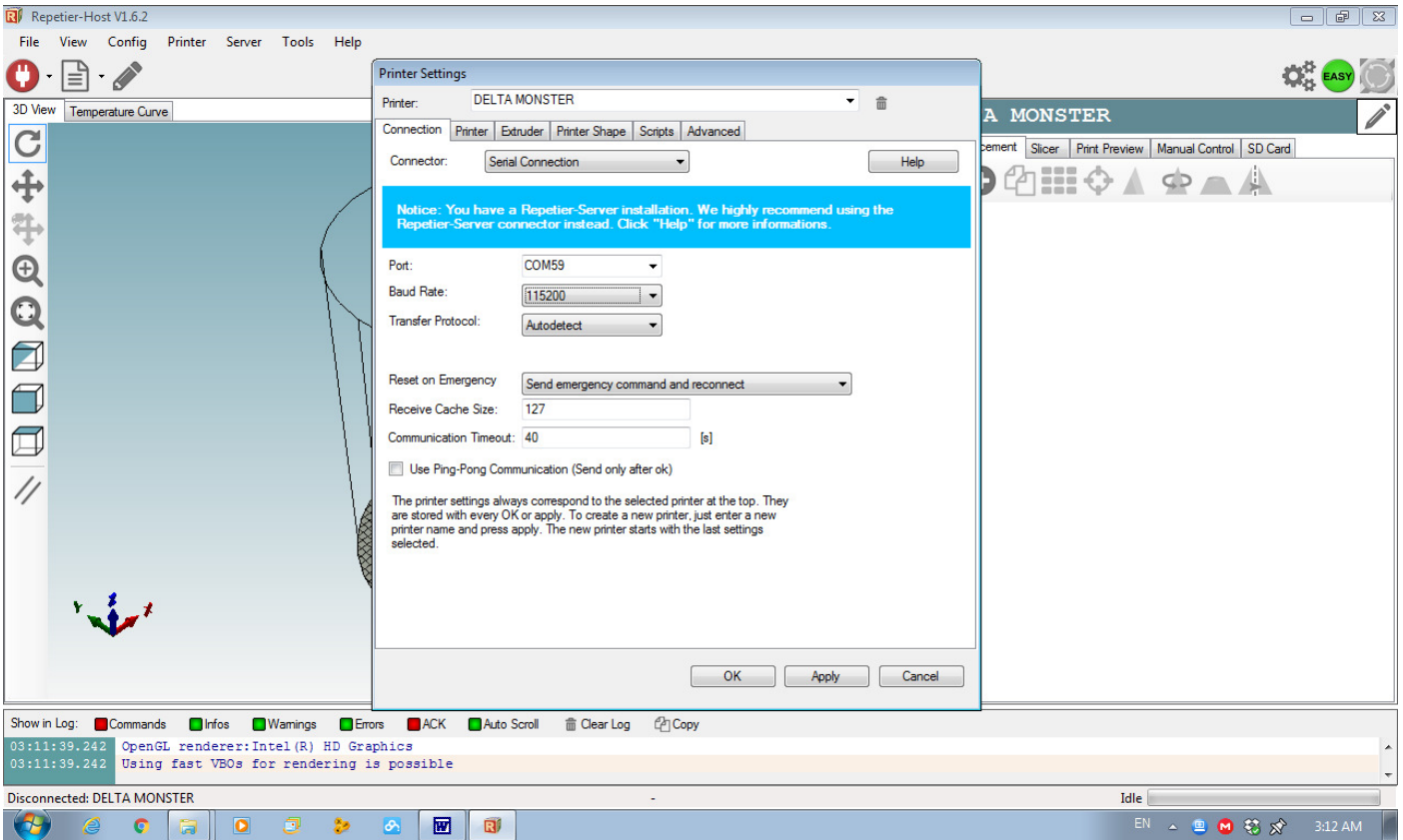


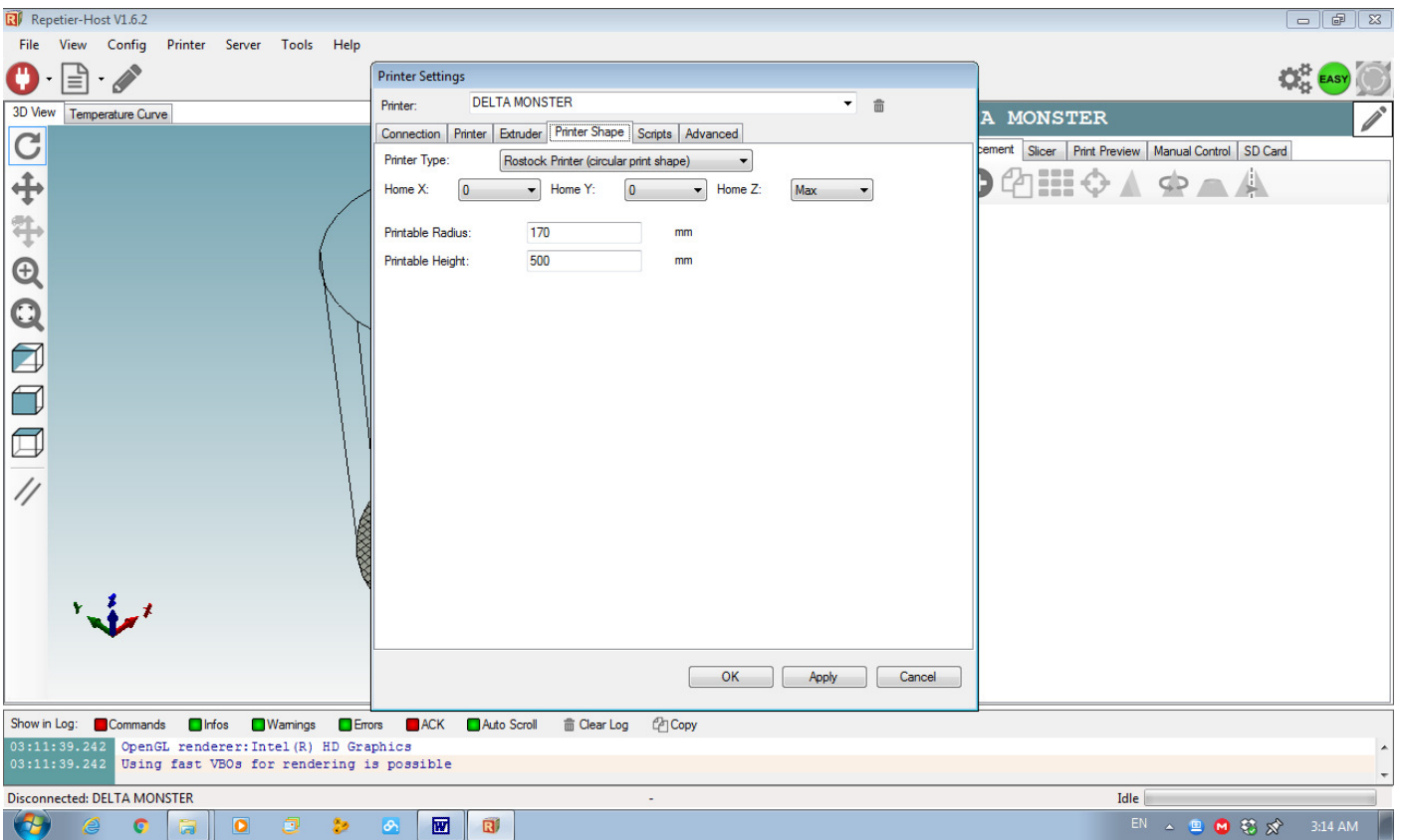
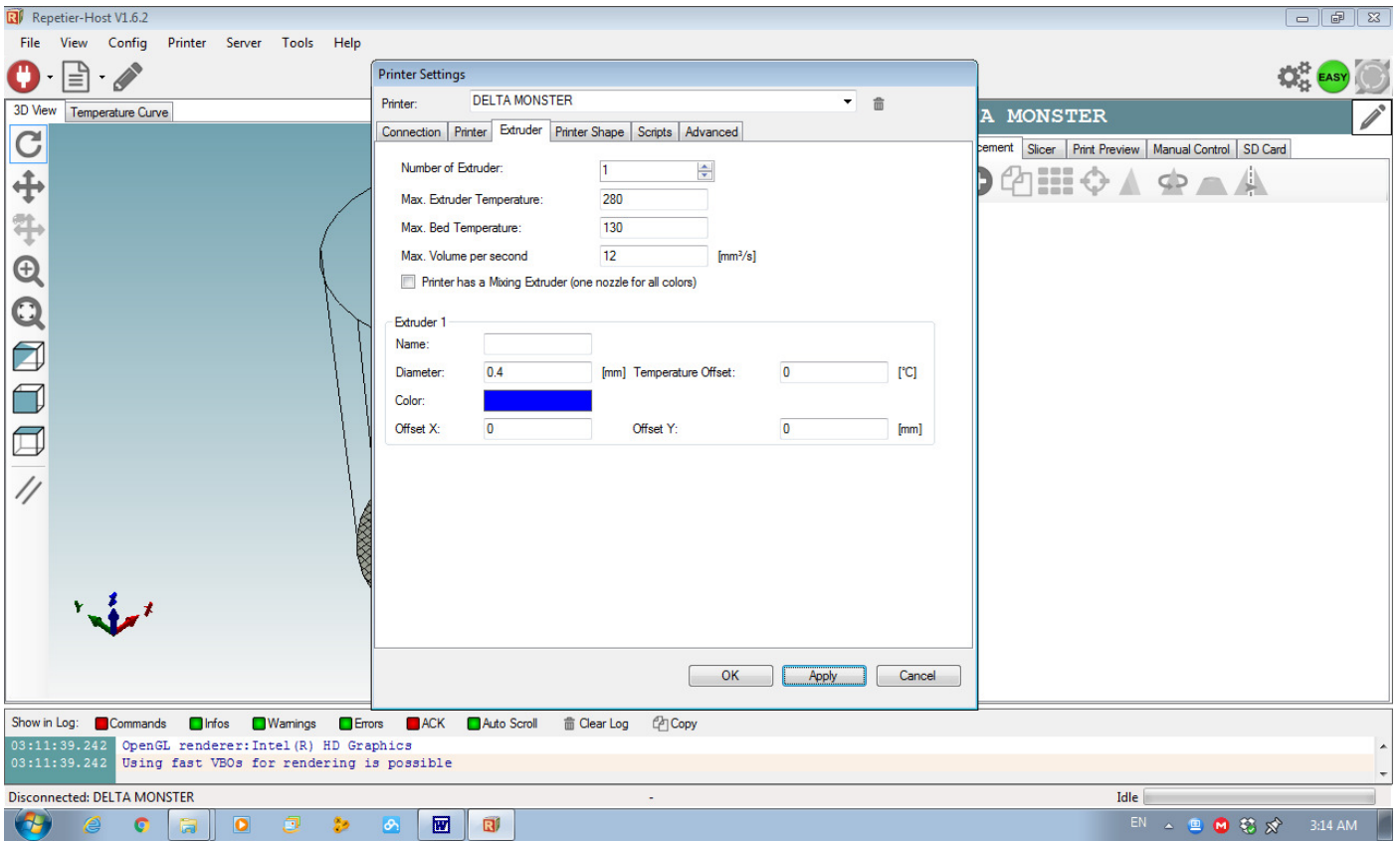
Setup & Special functions

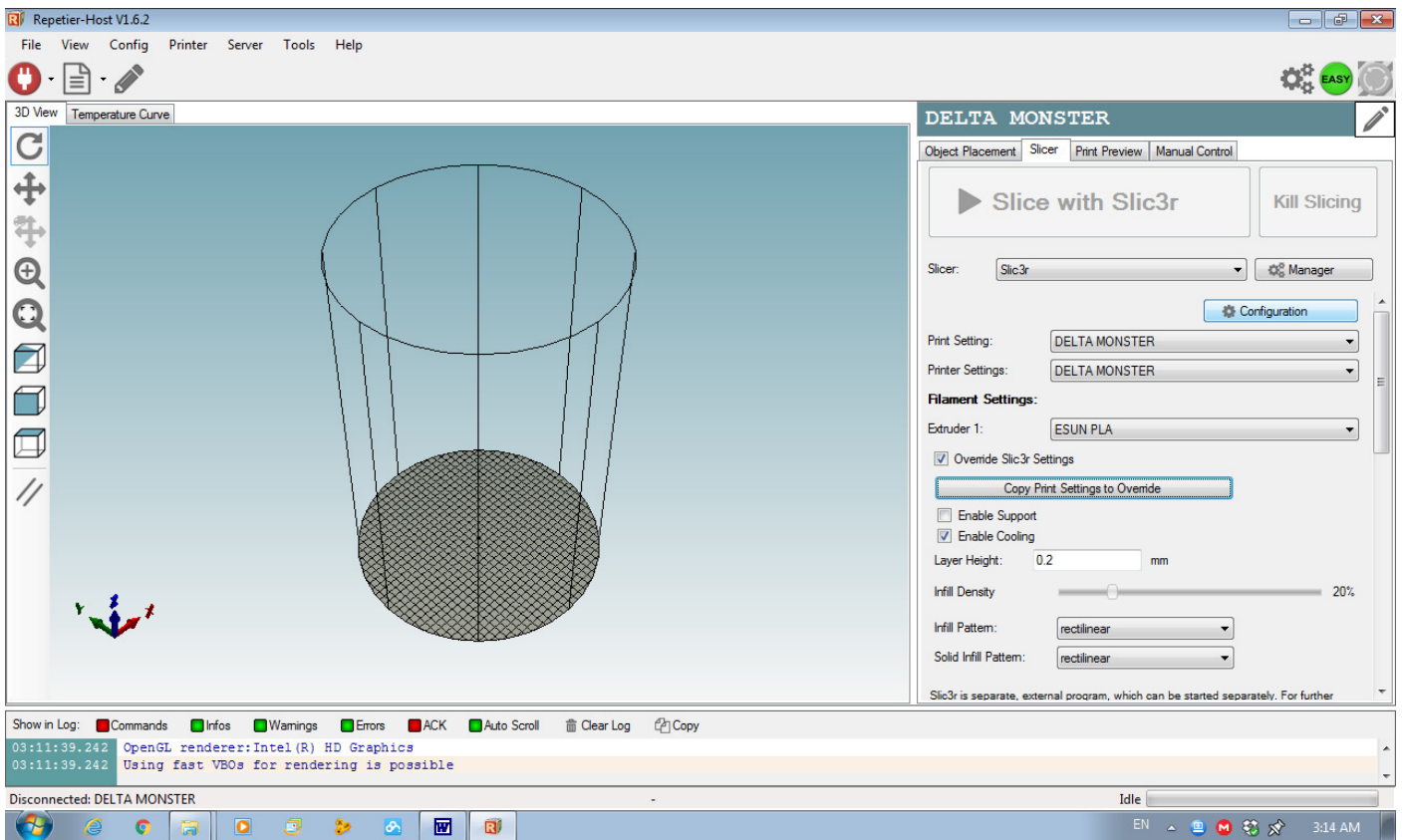


Additional BLTouch functions

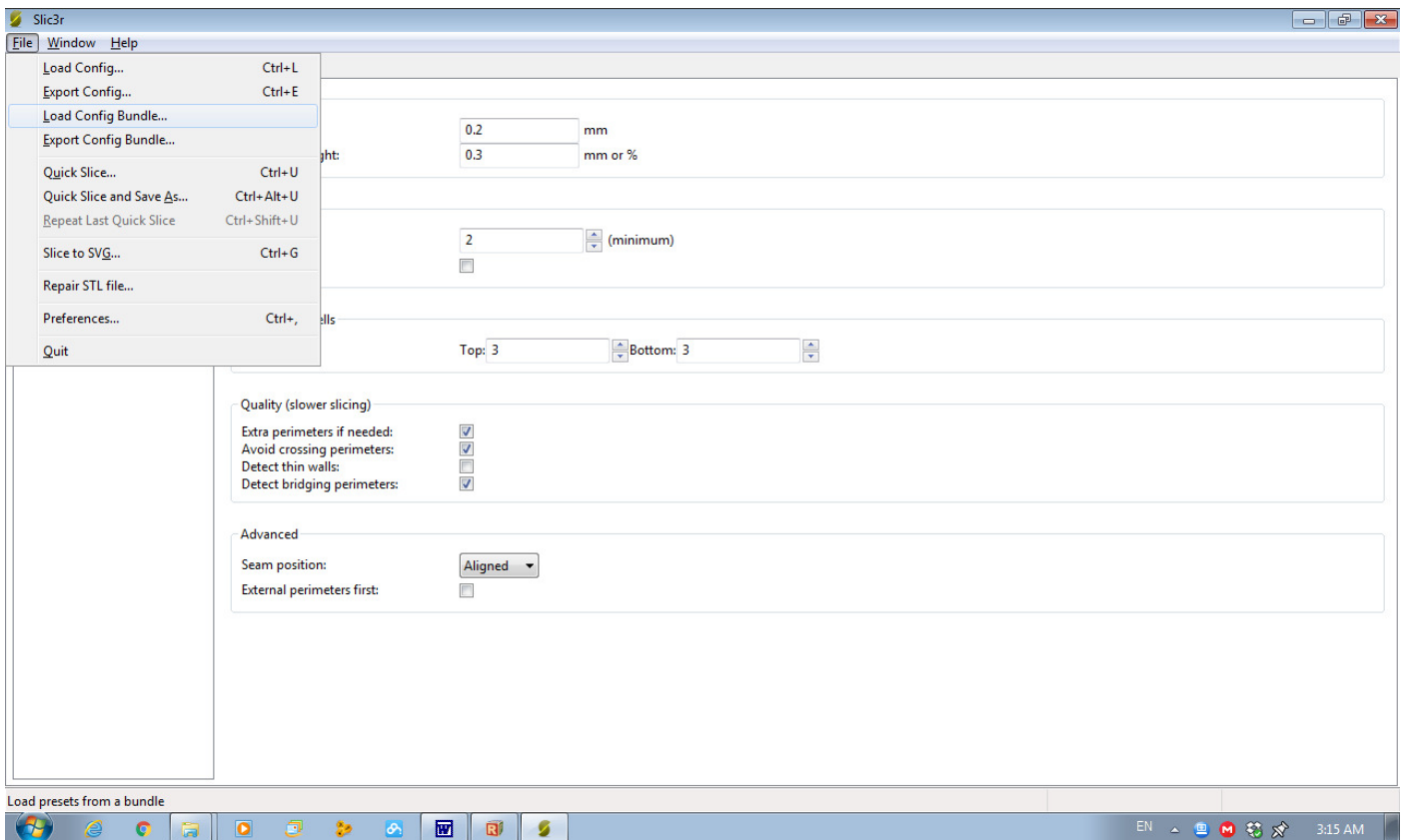
# REPETIER HOST SETUP



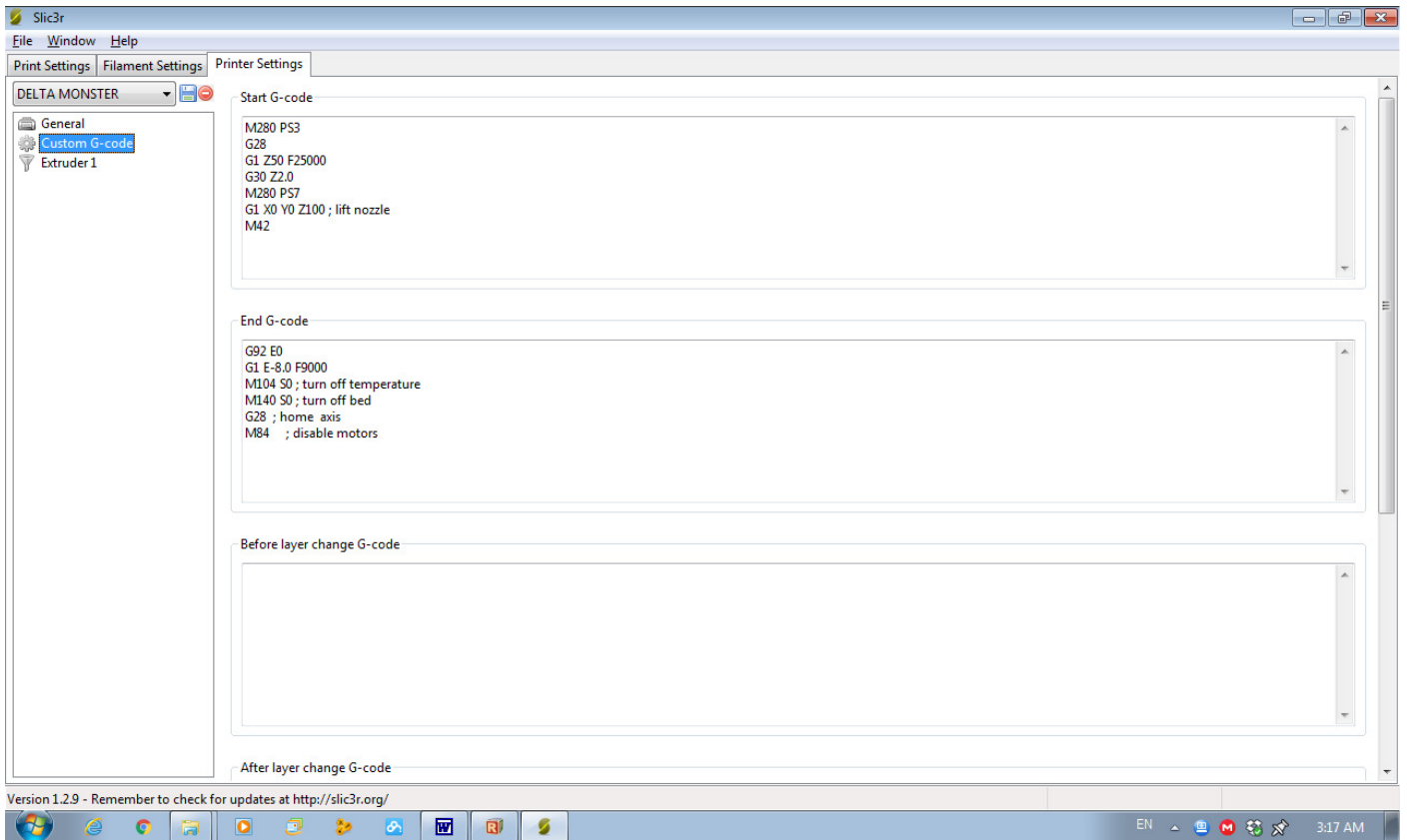




Select "Slic3r" as slicer.  
Click "Configuration".



Go to "File" and click "Load Config Bundle".  
Select and load "Monster.ini" from SD card.  
Rename print setting, filament, printer to Monster and save.



Recommended starting and ending Gcode for printing.

G30 Z2.0 indicate BLTouch trigger point is 2mm below nozzle tip.

Please adjust this value according to the first layer print result.

Increase this value will lower nozzle closer to bed. (Example: G30 Z2.0 to G30 Z2.2)

Decrease this value will lift nozzle away from bed. (Example: G30 Z2.0 to G30 Z1.8)